

## INSTALLATION INSTRUCTIONS

DESCRIPTION: Door Audio Installation Kit

PART NUMBER: BAR-H81M0-V0

MODEL:2021+ Wolverine X2 and X4



### ⚠ WARNING

Please read and understand these instructions completely before installation to avoid possible injury, or damage to the accessory or vehicle.

### NOTICE:

Installation of this kit requires a torque wrench and should be performed by an authorized Yamaha dealer or a qualified mechanic.

### WARRANTY INFORMATION:

In the United States, see your Yamaha dealer for a copy of the Yamaha Genuine Parts and Accessories Limited Warranty.

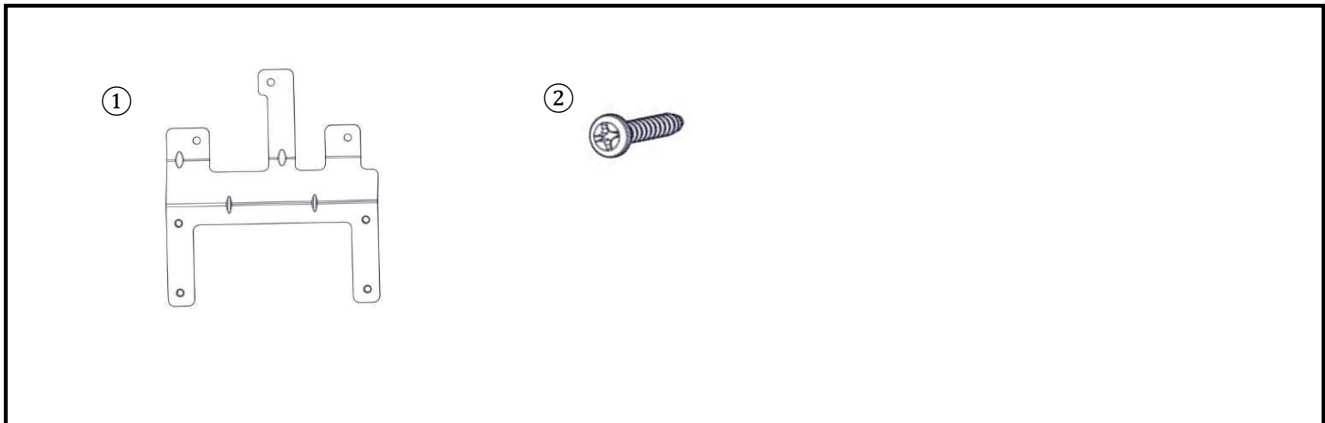
### DEALER OR INSTALLER:

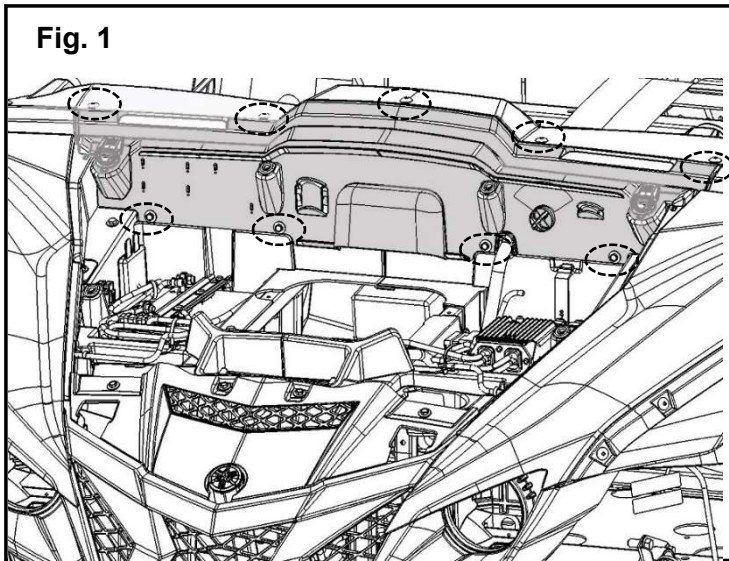
These instructions contain important information for future reference and *must* be given to the customer.

### PARTS LIST:

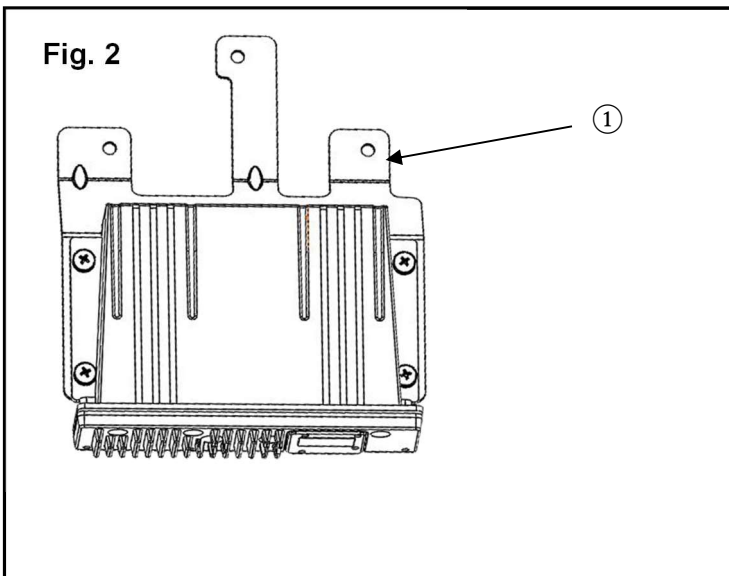
No.	Part Number	Description	Qty
--	BAR-H81M0-V0	Door Audio Installation Kit	--
①	BAR-H3392-V0	Brain Box Mount	1
②	BAR-H3616-V0	Phillips Self Tapping Screws	3

\* Part supplied with kit only and not available separately.

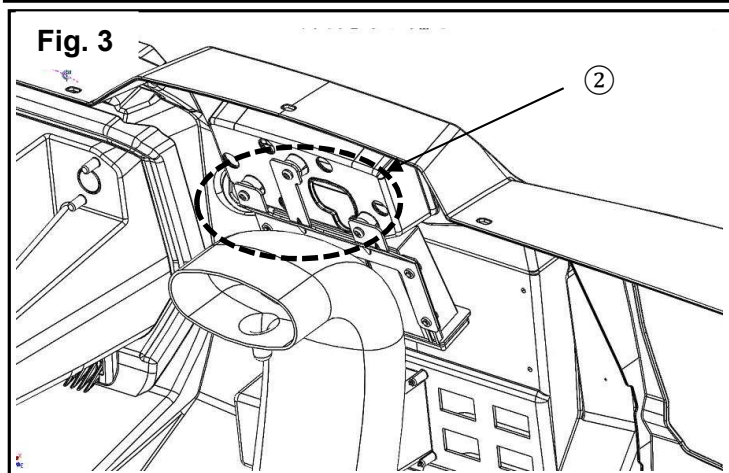




**Fig. 1**



**Fig. 2**



**Fig. 3**

**PREPARATION:**

- Place the vehicle on a secure and level surface.
- Set the parking brake.
- Clean the mounting surfaces before beginning installation.
- This kit is used with the Accessory Front Door Audio Kit (B4J-H81C0-S0).
- **This instruction will replace the procedure from INSTALLATION: Brain Box and Radio Assembly steps 1 and 2.**

**INSTALLATION:**

1. Remove the hood and the firewall. Retain the hardware for reuse.
2. Attach the brain box to the ② Brain Box Mount using the M5 x15 Hex Head Screws and M5 Washers from the audio kit. (Fig. 2)
3. Align the ① Brain Box Mount on the back of the center dash. Thread in the three ② Phillips Self Tapping Screws into the back of the display. (Fig. 3)
4. Reassemble the firewall and place the hood back in place with the stock hardware.

**MAINTENANCE:**

Periodically, check torque on all hardware. If loose hardware is found, re-torque to specification.

**CARE AND CLEANING:**

Clean painted metal parts with a clean soft cloth and mild soap and water solution. Rinse and dry.

**CUSTOMER SERVICE:**

For further information see your Yamaha dealer.

**ESTIMATED TIME TO INSTALL: 0.5 HRS.**